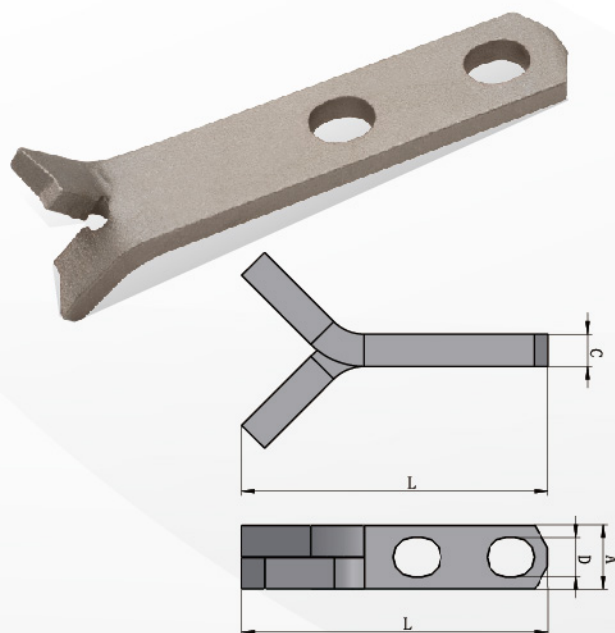


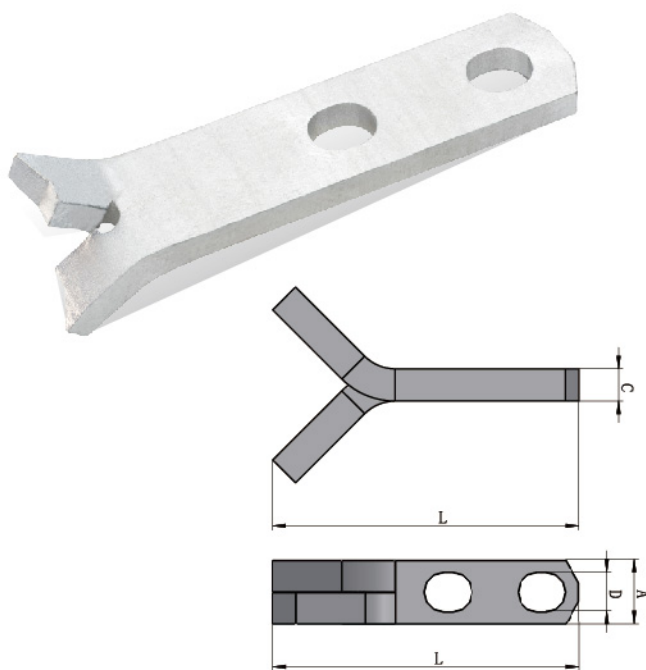
## STRIPANKERS

### ■ SPREIDANKER AT-SPA



Article no.	Type	Kgs	l	a	c	d	Exec
A001440	AT-SPA-007-110	700	110	30	5	14	Blank
A001141	AT-SPA-014-110	1400	110	30	6	14	Blank
A001142	AT-SPA-014-160	1400	160	30	6	14	Blank
A001143	AT-SPA-020-130	2000	130	30	8	14	Blank
A001144	AT-SPA-020-160	2000	160	30	8	14	Blank
A001145	AT-SPA-020-210	2000	210	30	8	14	Blank
A001146	AT-SPA-020-250	2000	250	30	8	14	Blank
A001147	AT-SPA-025-120	2500	120	30	10	14	Blank
A001148	AT-SPA-025-150	2500	150	30	10	14	Blank
A001149	AT-SPA-025-200	2500	200	30	10	14	Blank
A001150	AT-SPA-025-250	2500	250	30	10	14	Blank
A001151	AT-SPA-030-160	3000	160	40	10	18	Blank
A001152	AT-SPA-030-200	3000	200	40	10	18	Blank
A001153	AT-SPA-030-280	3000	280	40	10	18	Blank
A001154	AT-SPA-040-180	4000	180	40	10	18	Blank
A001155	AT-SPA-040-240	4000	240	40	12	18	Blank
A001156	AT-SPA-040-320	4000	320	40	12	18	Blank
A001157	AT-SPA-050-180	5000	180	40	12	18	Blank
A001158	AT-SPA-050-240	5000	240	40	15	18	Blank
A001159	AT-SPA-050-400	5000	400	40	15	18	Blank
A001160	AT-SPA-075-260	8000	260	60	16	27	Blank
A001161	AT-SPA-075-300	8000	300	60	16	27	Blank
A001162	AT-SPA-075-420	8000	420	60	16	27	Blank
A001163	AT-SPA-100-300	10000	300	60	20	27	Blank
A001164	AT-SPA-100-370	10000	370	60	20	27	Blank
A001165	AT-SPA-100-520	10000	520	60	20	27	Blank
A001166	AT-SPA-140-370	14000	370	60	20	35	Blank
A001167	AT-SPA-140-460	14000	460	60	20	35	Blank
A001168	AT-SPA-220-500	22000	500	60	20	35	Blank
A001169	AT-SPA-220-620	22000	620	60	20	35	Blank

### ■ SPREIDANKER AT-SPA HDG



Article no.	Type	Kgs	l	a	c	d	Exec
A004000	AT-SPA-007-110	700	110	30	5	14	HDG
A004001	AT-SPA-014-110	1400	110	30	6	14	HDG
A004002	AT-SPA-014-160	1400	160	30	6	14	HDG
A004003	AT-SPA-020-130	2000	130	30	8	14	HDG
A004004	AT-SPA-020-160	2000	160	30	8	14	HDG
A004005	AT-SPA-020-210	2000	210	30	8	14	HDG
A004006	AT-SPA-020-250	2000	250	30	8	14	HDG
A004007	AT-SPA-025-120	2500	120	30	10	14	HDG
A004008	AT-SPA-025-150	2500	150	30	10	14	HDG
A004009	AT-SPA-025-200	2500	200	30	10	14	HDG
A004010	AT-SPA-025-250	2500	250	30	10	14	HDG
A004011	AT-SPA-030-160	3000	160	40	10	18	HDG
A004012	AT-SPA-030-200	3000	200	40	10	18	HDG
A004013	AT-SPA-030-280	3000	280	40	10	18	HDG
A004014	AT-SPA-040-180	4000	180	40	10	18	HDG
A004015	AT-SPA-040-240	4000	240	40	12	18	HDG
A004016	AT-SPA-040-320	4000	320	40	12	18	HDG
A004017	AT-SPA-050-180	5000	180	40	12	18	HDG
A004018	AT-SPA-050-240	5000	240	40	15	18	HDG
A004019	AT-SPA-050-400	5000	400	40	15	18	HDG
A004020	AT-SPA-075-260	8000	260	60	16	27	HDG
A004021	AT-SPA-075-300	8000	300	60	16	27	HDG
A004022	AT-SPA-075-420	8000	420	60	16	27	HDG
A004023	AT-SPA-100-300	10000	300	60	20	27	HDG
A004024	AT-SPA-100-370	10000	370	60	20	27	HDG
A004025	AT-SPA-100-520	10000	520	60	20	27	HDG
A004026	AT-SPA-140-370	14000	370	60	20	35	HDG
A004027	AT-SPA-140-460	14000	460	60	20	35	HDG
A004028	AT-SPA-220-500	22000	500	60	20	35	HDG
A004029	AT-SPA-220-620	22000	620	60	20	35	HDG